

# ACUMAX® sealed maintenance-free lead-acid battery AML series



## AML 200-12

- uninterruptible power supplies
- telecom power supply systems
- telecommunication PABX
- power station
- fire and security systems
- solar powered systems
- emergency lighting systems
- cable TV

### Technical data

Nominal voltage	12 V
Nominal capacity	200 Ah/ C <sub>20</sub>
Design life	8 years @ 25°C 10-12 years @ 20°C according to Eurobat, Long Life group
Weight	~ 61.5 kg
Dimensions	
Height	224 mm
Length	522 mm
Width	238 mm
Internal resistance	£ 3.0 mW
Charging voltage @ 25°C	
Standby use	13.65 V ± 0.18 V
Cycle use	14.70 V ± 0.30 V
Charging current	
Recommended	20 A
Maximum	60 A
Max. discharge current (5s)	1600 A
Container material	
Standard	ABS UL 94-HB
Optional (Flame-retardant)	ABS UL 94-V0

Battery approved for transportation by air, sea or land. Classified as non-hazardous material: *IATA/ICAO Special Provision A67, DOT-CFR Title 49 parts 171-189, IMDG amendment 27.*

### Constant current discharge (Current [A], 25 [°C] / 77 [°F])

U <sub>f</sub> [V/cell]	Discharge time									
	10 min	15 min	30min	1h	2h	3h	4h	5h	10h	20h
1,80	334	284	179	113	69,1	48,5	39,8	34,0	20,0	10,5
1,75	354	300	185	117	70,9	50,0	41,0	35,0	20,1	10,6
1,70	367	310	190	119	72,0	50,4	41,3	35,2	20,3	10,6

### Constant power discharge (Power [W/cell], 25 [°C] / 77 [°F])

U <sub>f</sub> [V/cell]	Discharge time									
	10 min	15 min	30min	1h	2h	3h	4h	5h	10h	20h
1,75	730	629	455	301	178	126	97,4	79,7	41,4	21,2
1,70	758	652	465	306	181	127	98,2	80,3	41,7	21,3
1,65	789	676	481	314	182	128	98,8	80,6	41,9	21,3

U<sub>f</sub> - Final voltage



ACUMAX®

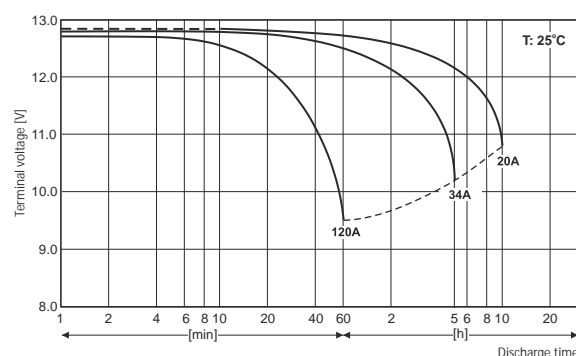
Change no: 7/2018.06

Sealed, maintenance free, lead-acid ACUMAX® batteries with a 10 - 12 years designed lifetime are made in AGM technology - electrolyte is absorbed in highly porous fiber glass separators placed between the plates. They use a gas recombination cycle which prevents electrolyte loss and allows the batteries to be used in rooms without forced ventilation, that are occupied by people. One-way, self-regulating pressure relief valves prevent the case from blowing up, by preventing excessive buildup of pressure in the cells.

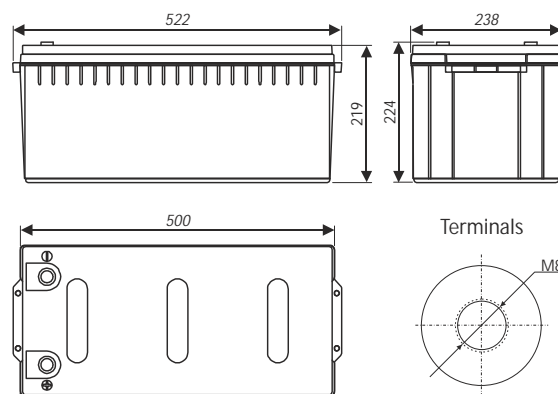
### Main applications

- marine
- golf-carts, wheelchairs
- mobile and portable equipment
- medical equipment

### Discharge characteristics



### Dimensions



Tolerance: +/- 3mm;